

SCALA2




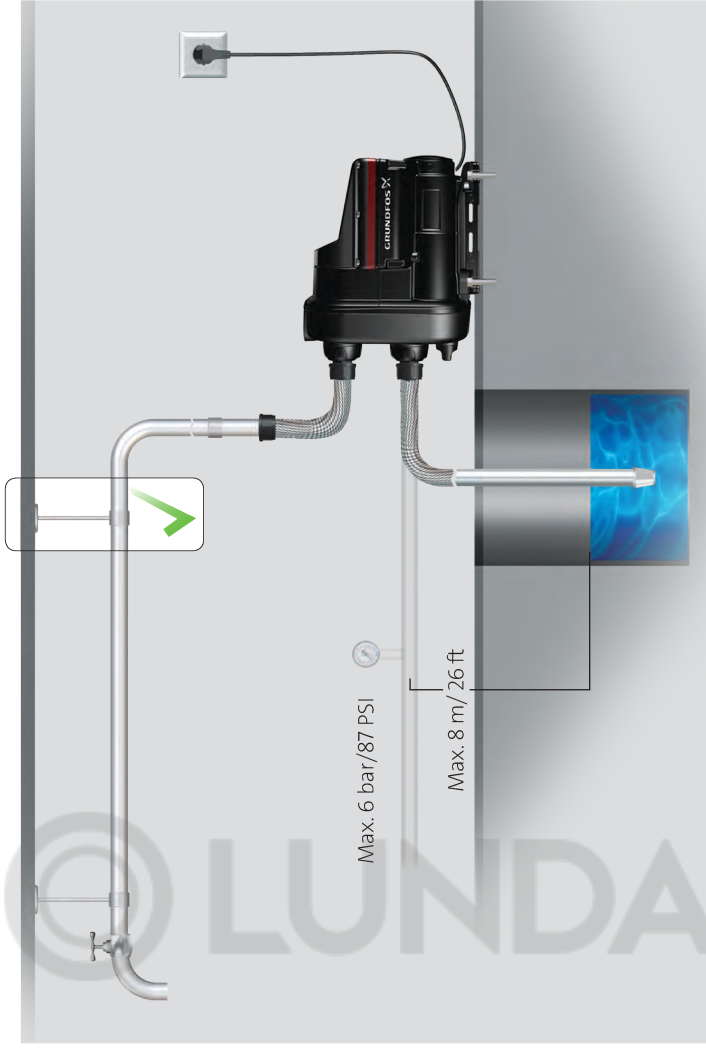
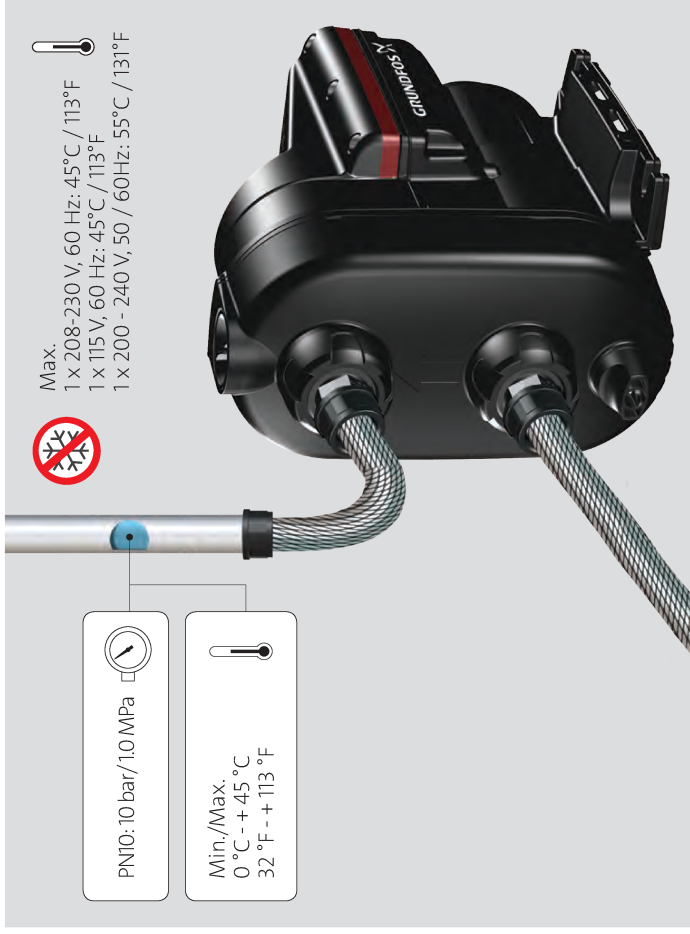
<http://qr.grundfos.com/i/scala2install>



- Max.
- 1 x 208-230 V, 60 Hz: 45°C / 113°F
 - 1 x 115 V, 60 Hz: 45°C / 113°F
 - 1 x 200 - 240 V, 50 / 60Hz: 55°C / 131°F

PN10: 10 bar/1.0 MPa 

Min./Max.
0 °C - + 45 °C
32 °F - + 113 °F 



Max. 6 bar/87 PSI

Max. 8 m/ 26 ft



1



2



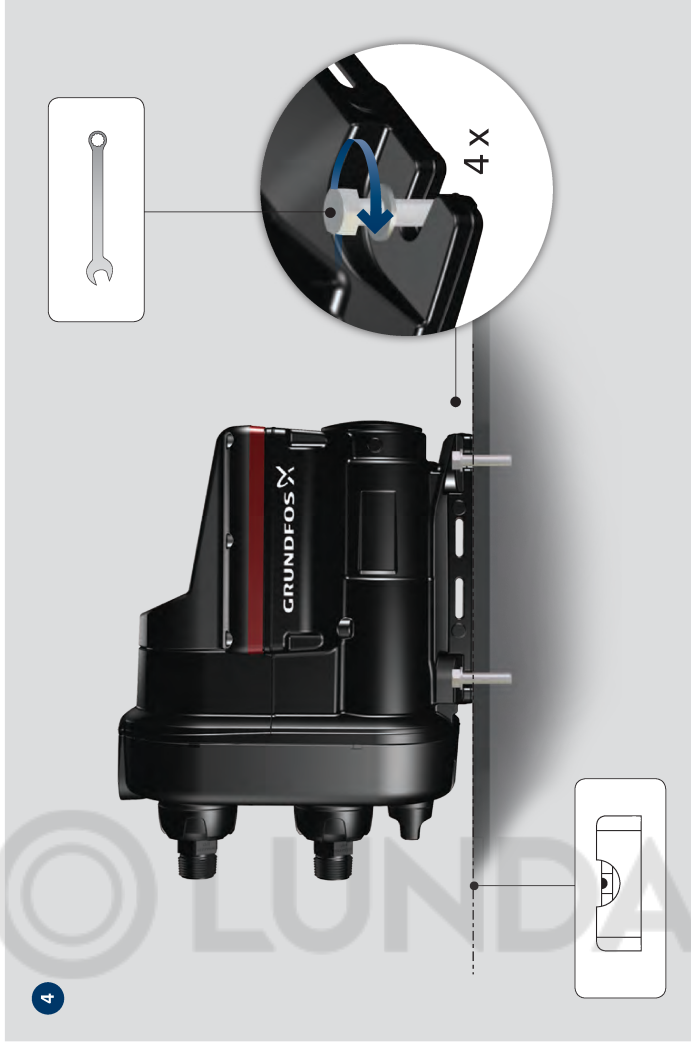
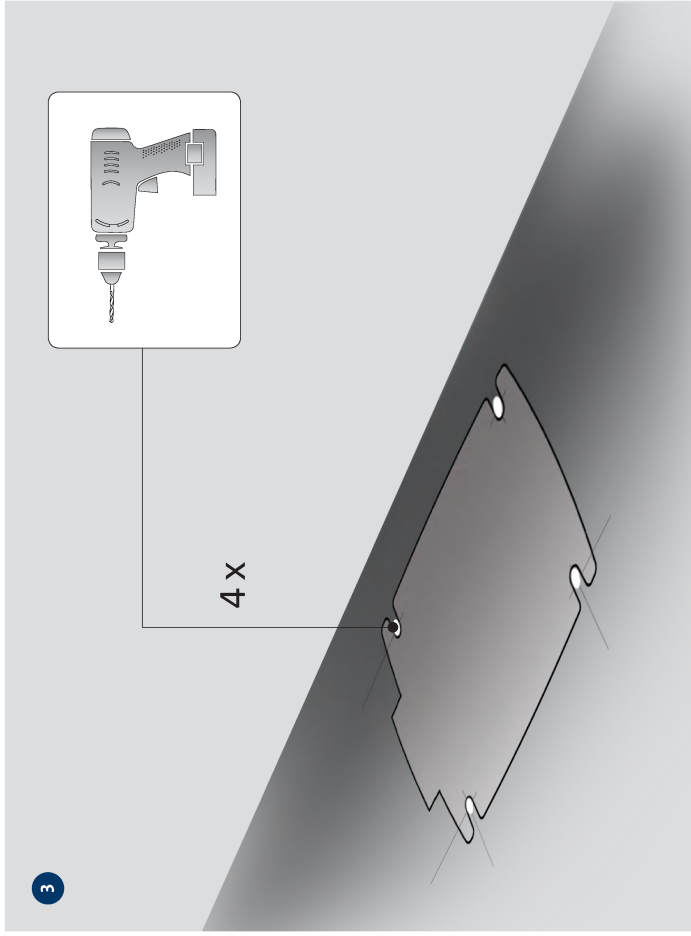
144 mm / 5.6 inch

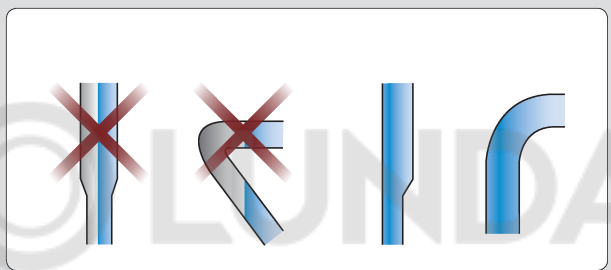
181 mm / 7.1 inch

130 mm / 5.1 inch

4 X

<http://qr.grundfos.com/scala2install>



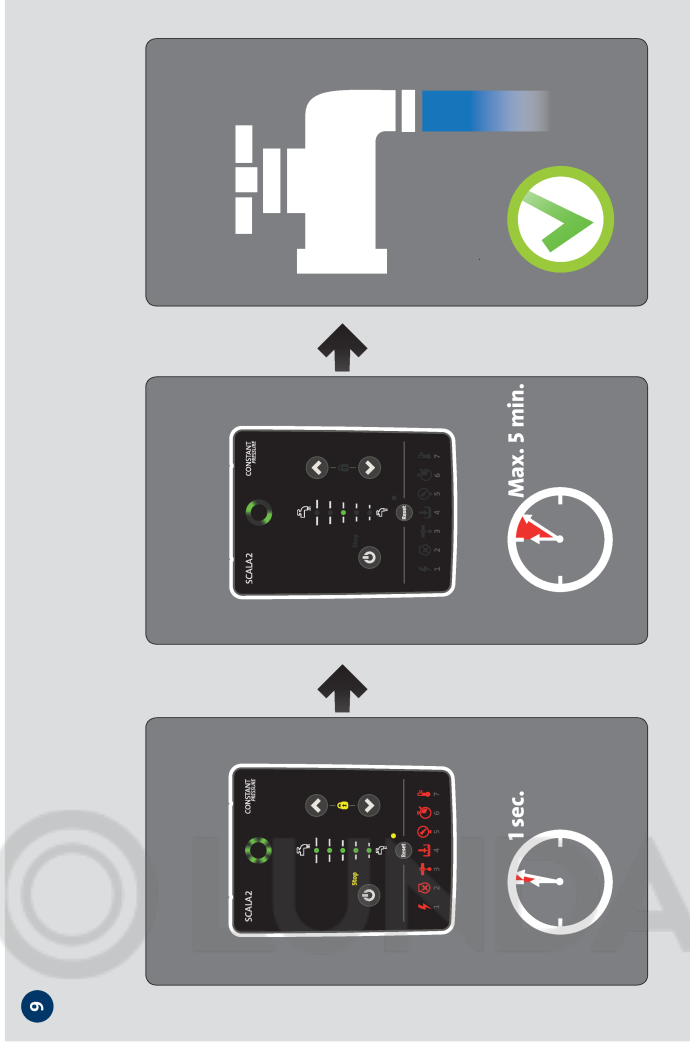
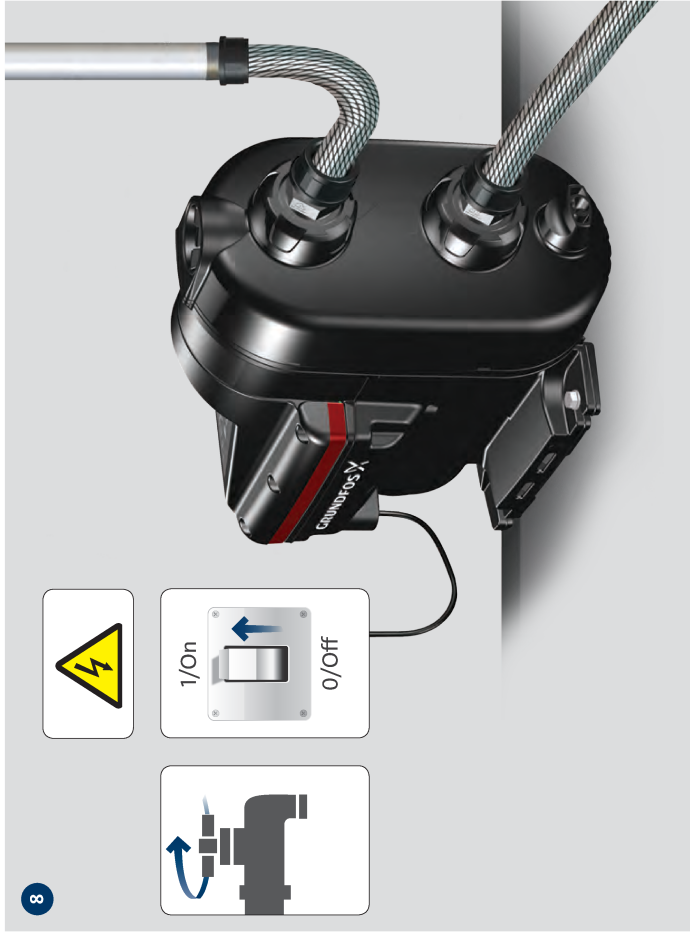


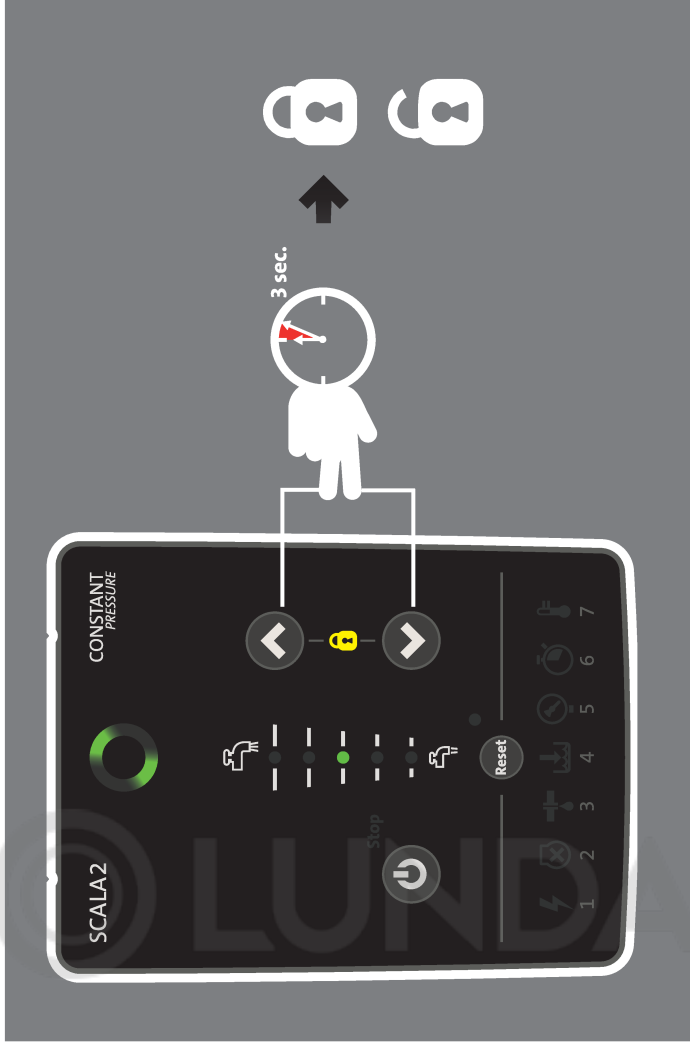
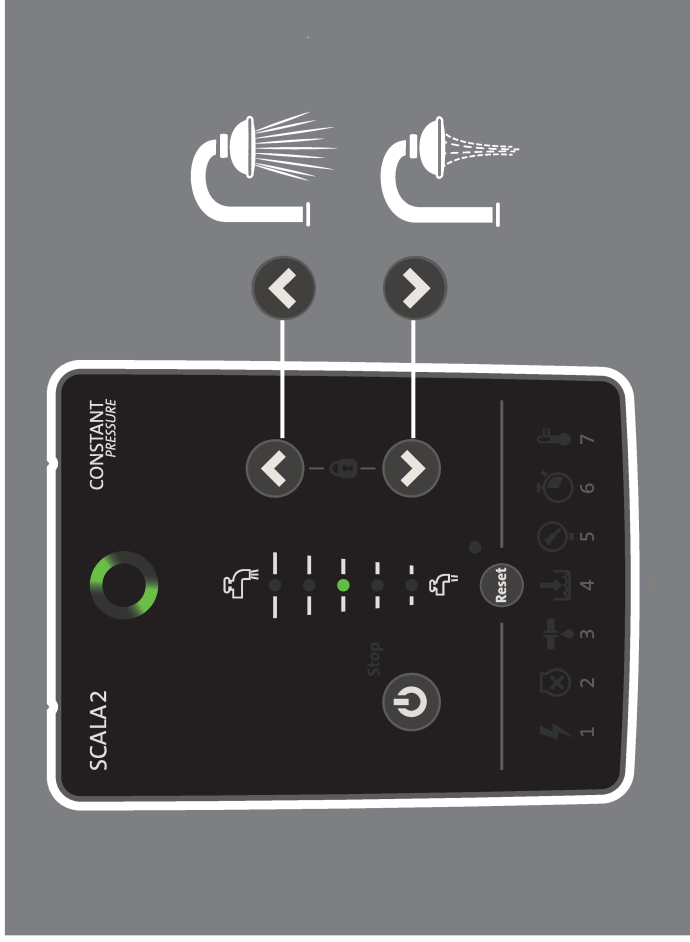


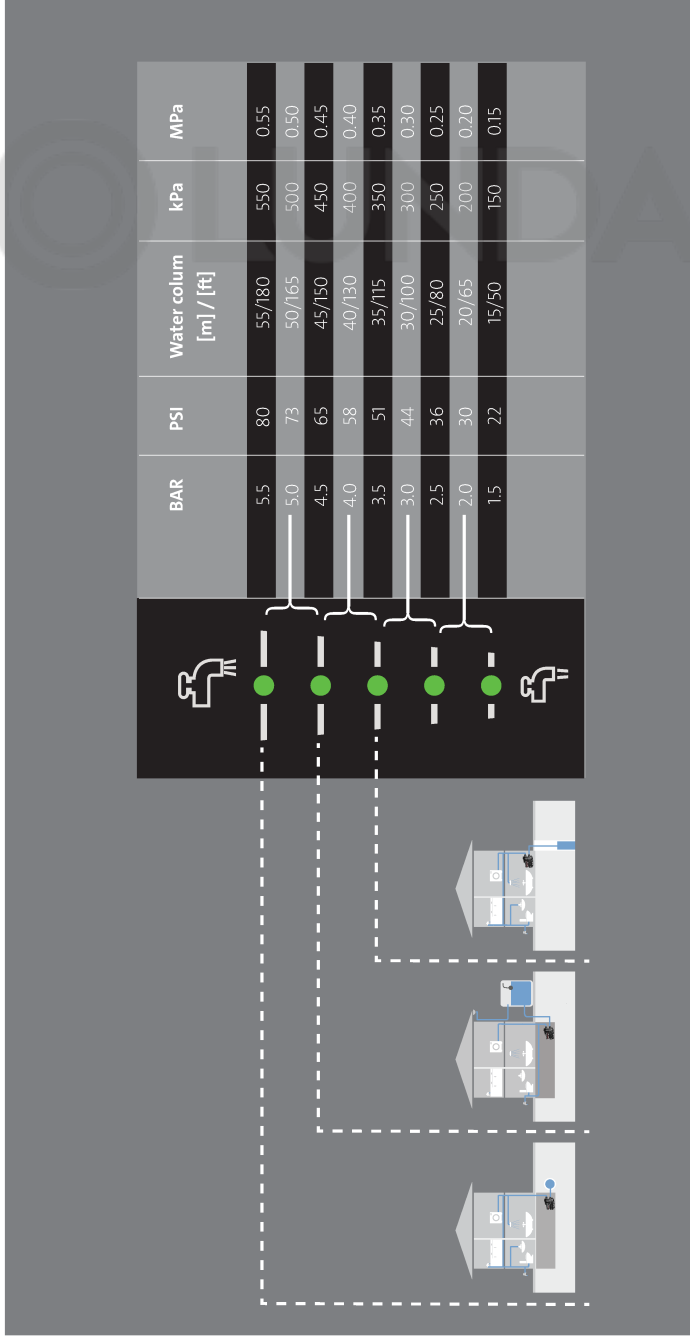
6

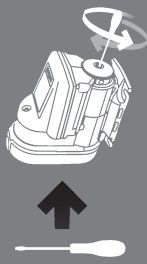


7









4

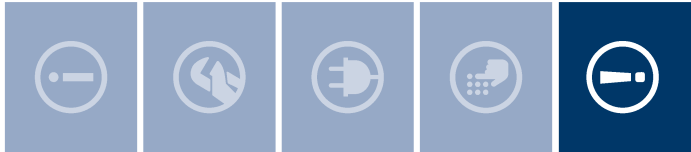
5

$p > p_{\text{ syst. max.}}$

$P_{\text{set}} > H_{\text{max}}$

6

0.5 hr.



7 (A)

7 (B)

net.grundfos.com/qr/1/98880508

be think innovate



98501666 0416

ECM: 1183347

GRUNDFOS Holding A/S
Poul Due Jensens Vej 7
DK-8850 Bjerringbro
Tel: +45 87 50 14 00
www.grundfos.com



The name Grundfos, the Grundfos logo, and be think innovate are registered trademarks owned by Grundfos Holding A/S or Grundfos A/S, Denmark. All rights reserved worldwide.