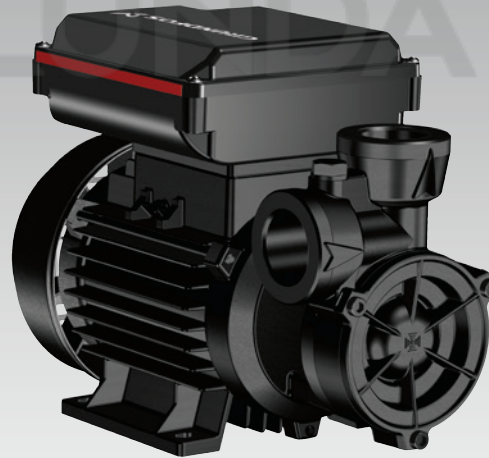


# NS/PF



Further product  
documentation



[net.grundfos.com/qr/i/99057323](https://net.grundfos.com/qr/i/99057323)

be  
think  
innovate

**GRUNDFOS** 



Max. bar =



NS



= Min./Max.  
0 °C / +35 °C



Min./Max. 0 °C / +40 °C



PF 1-30 Max. 6 bar  
PF 2-50 Max. 10 bar

PF



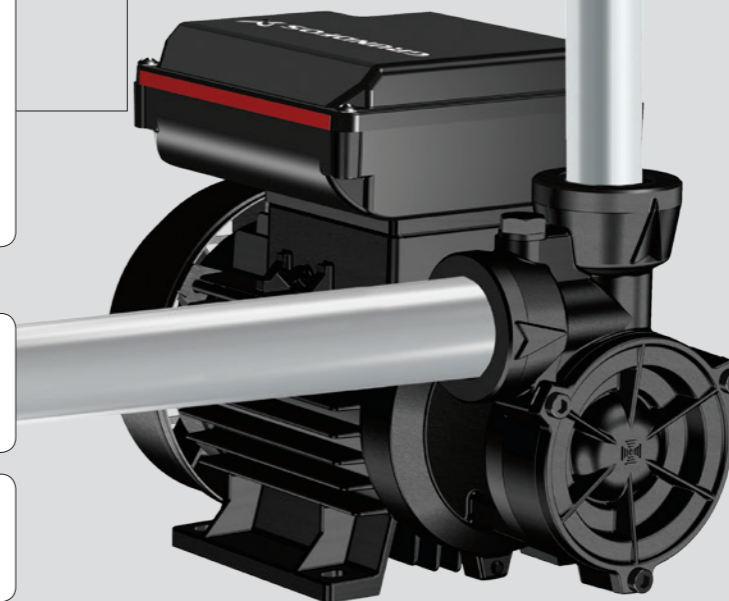
= Min./Max.  
0 °C / +35 °C



= Min./Max.  
-10 °C / +50 °C

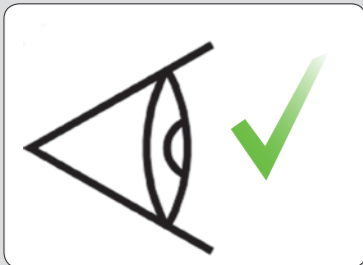


Min./Max. 0 °C / +40 °C

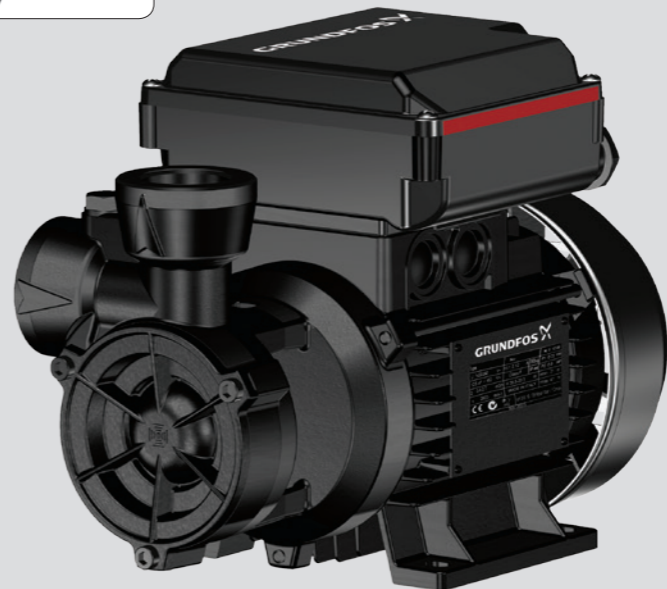
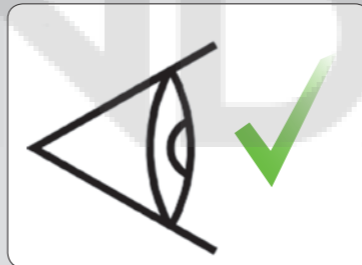




1A

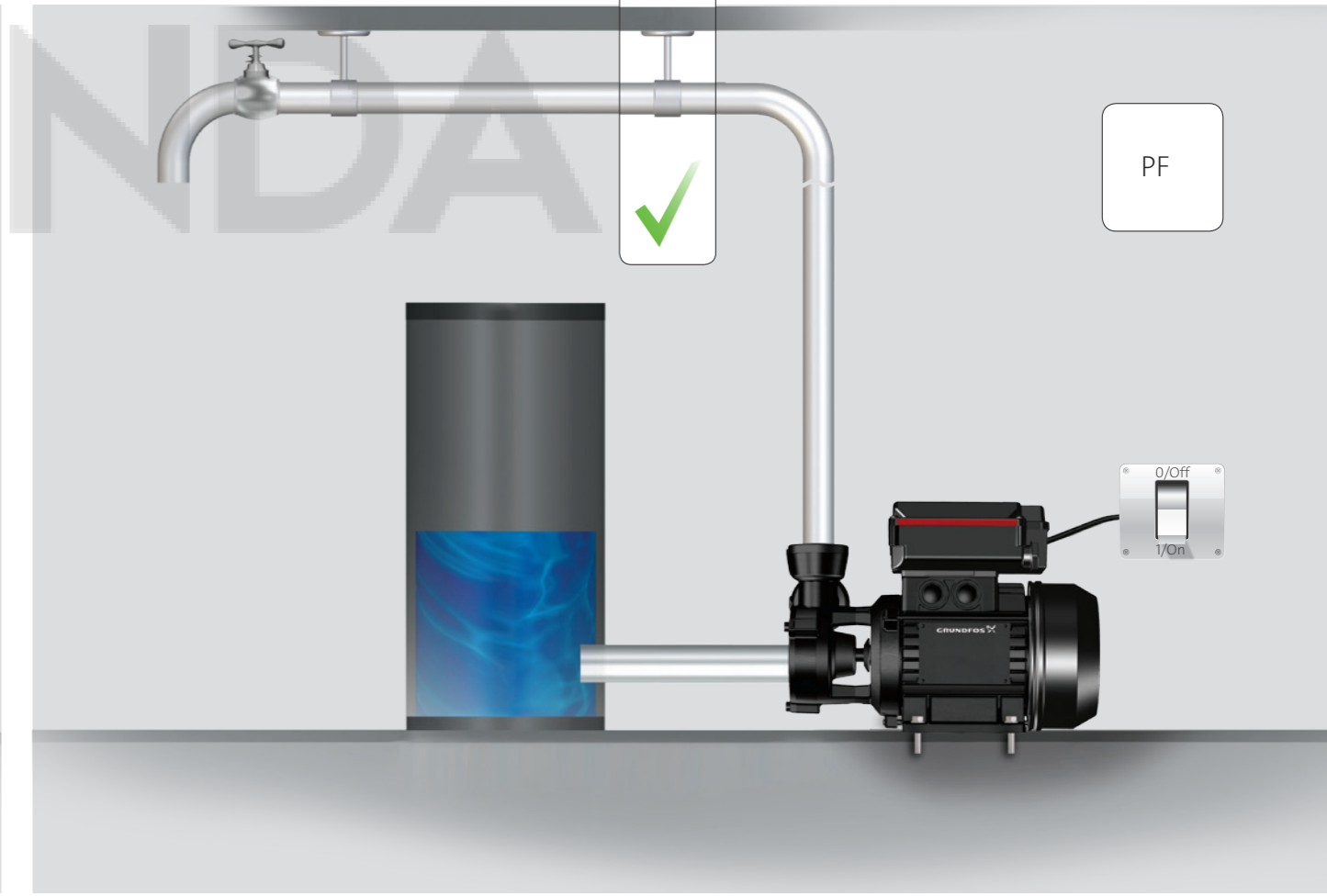
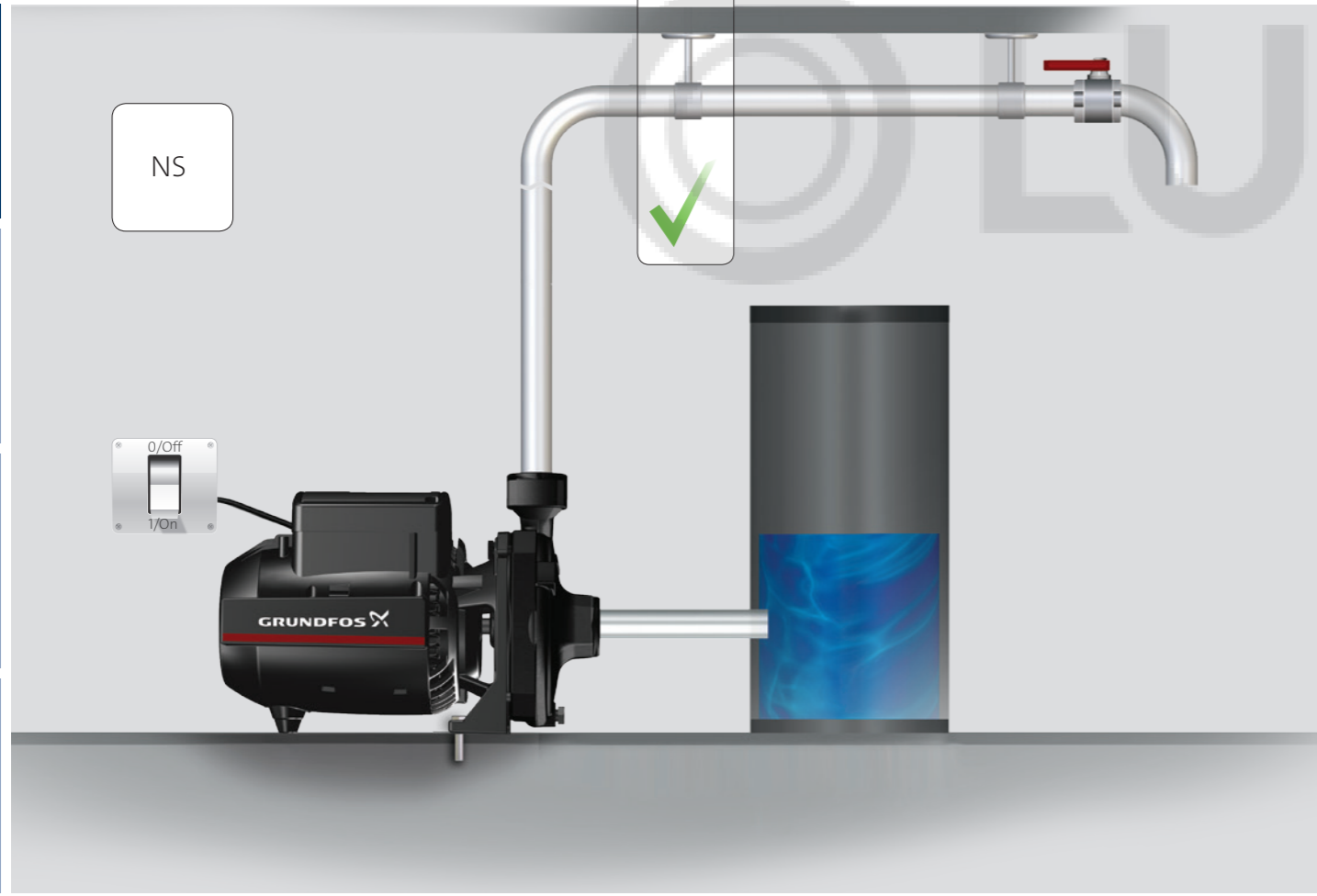


1B



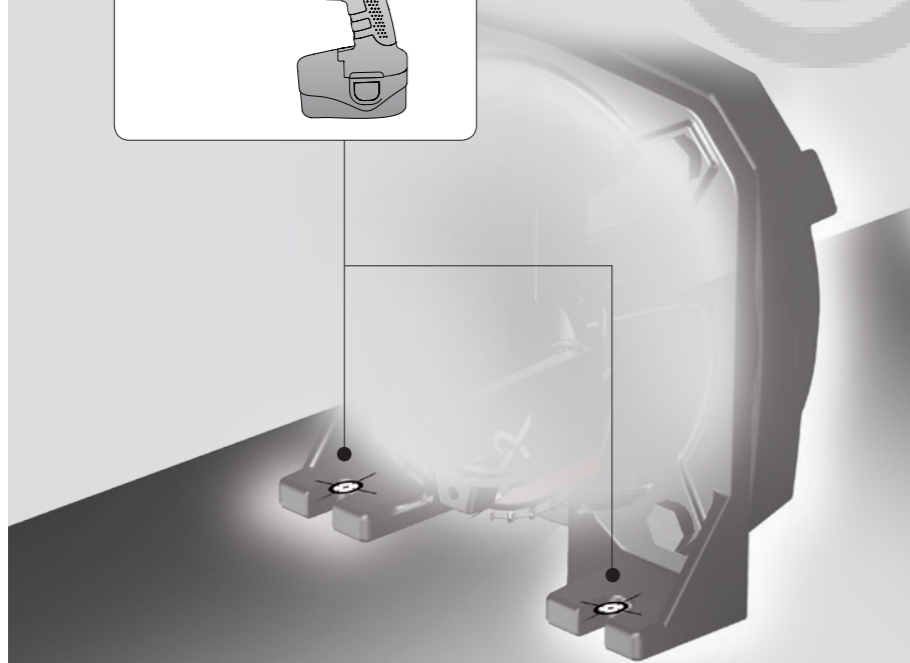
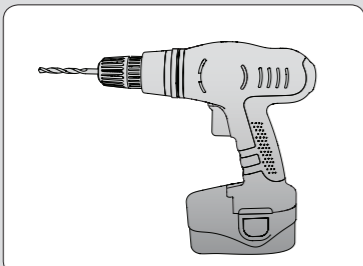
**GRUNDFOS**

Type	No.	N 1 10 49
U 1400-240	V-	0.71 3.12
12.5 µF / 450 V-	Class F	IP 44
Q 0.4-2 l min	H 35.5-20.5 m	PS 0.9 HP
n 2800 min-1	MADE IN ITALY	Hmax 47 m
	CE	008.18015

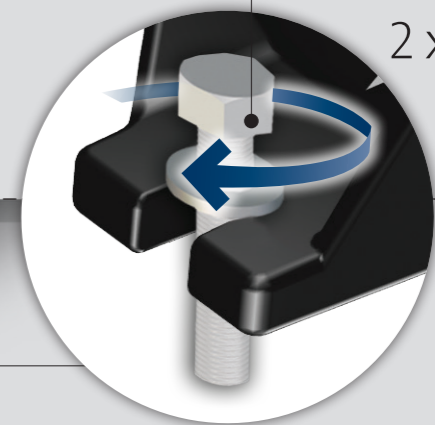
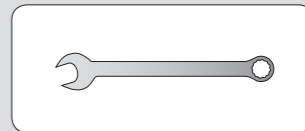
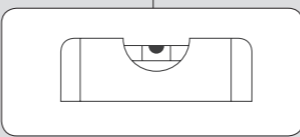




2A

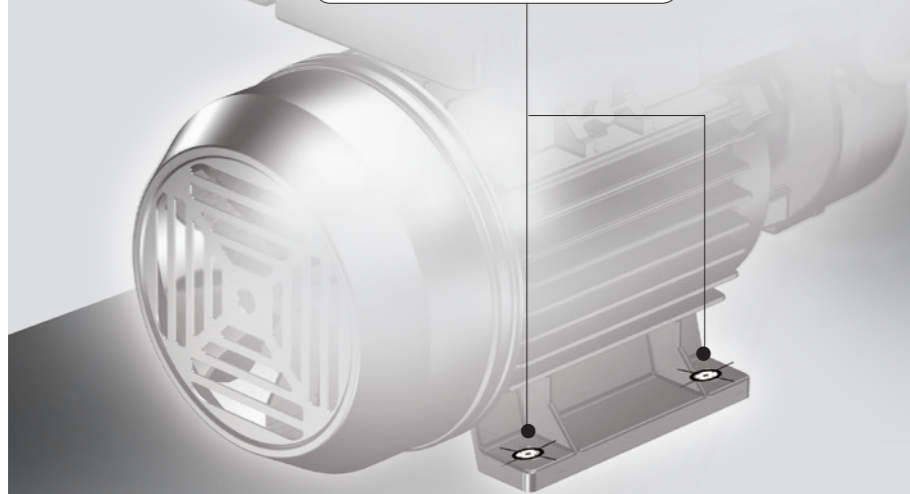
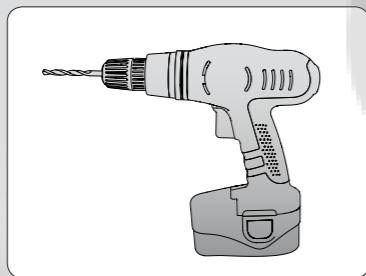


3A

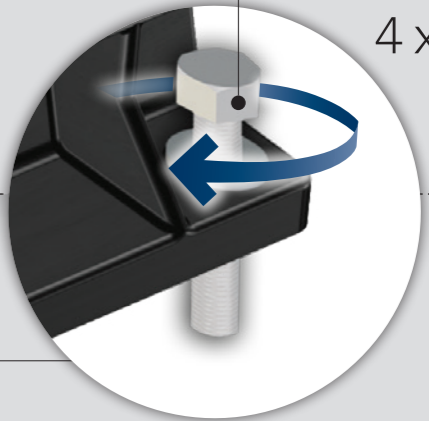
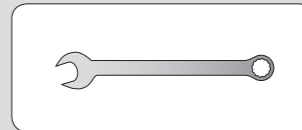
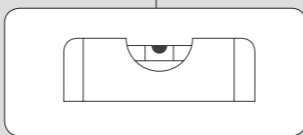


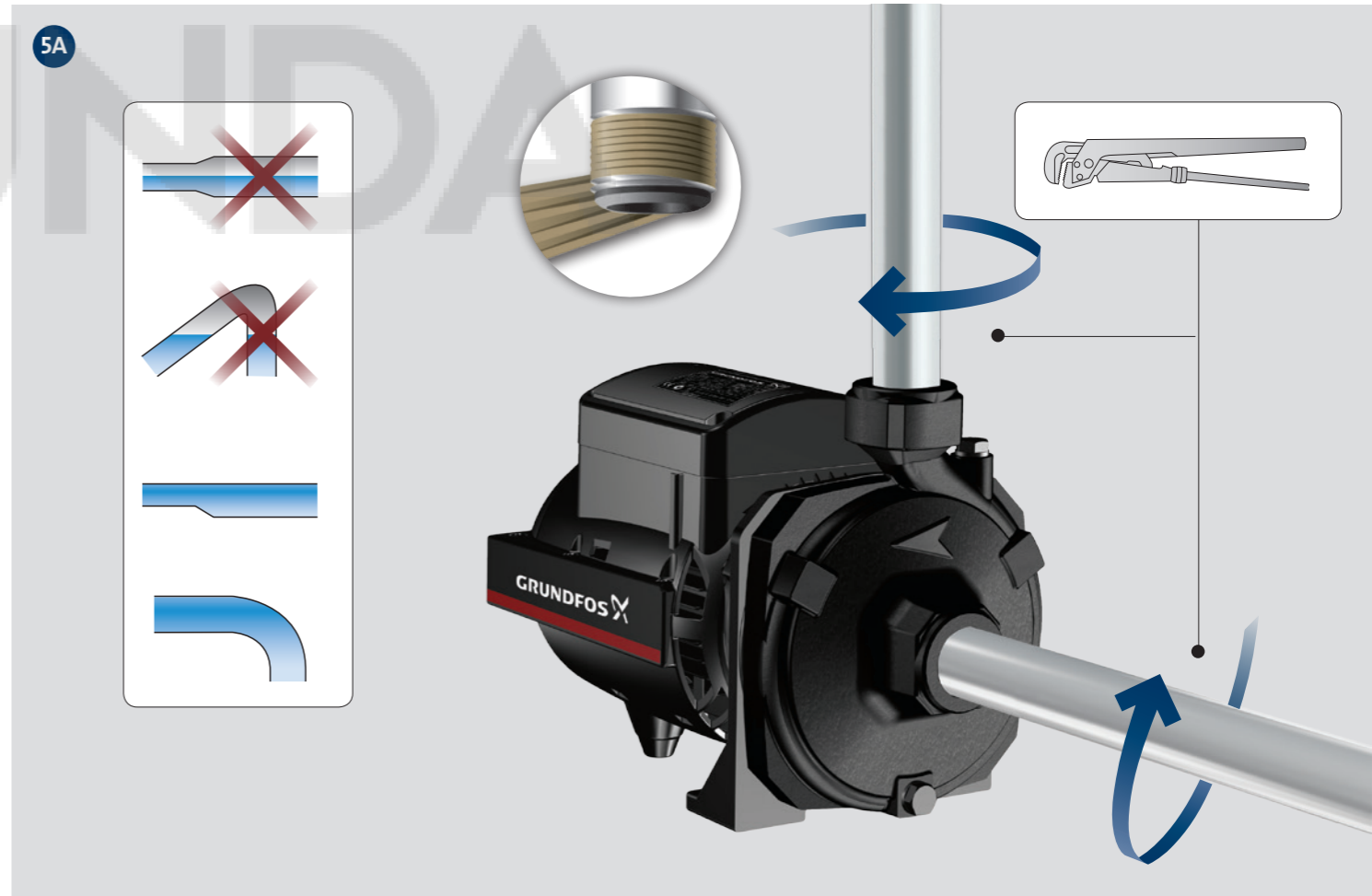
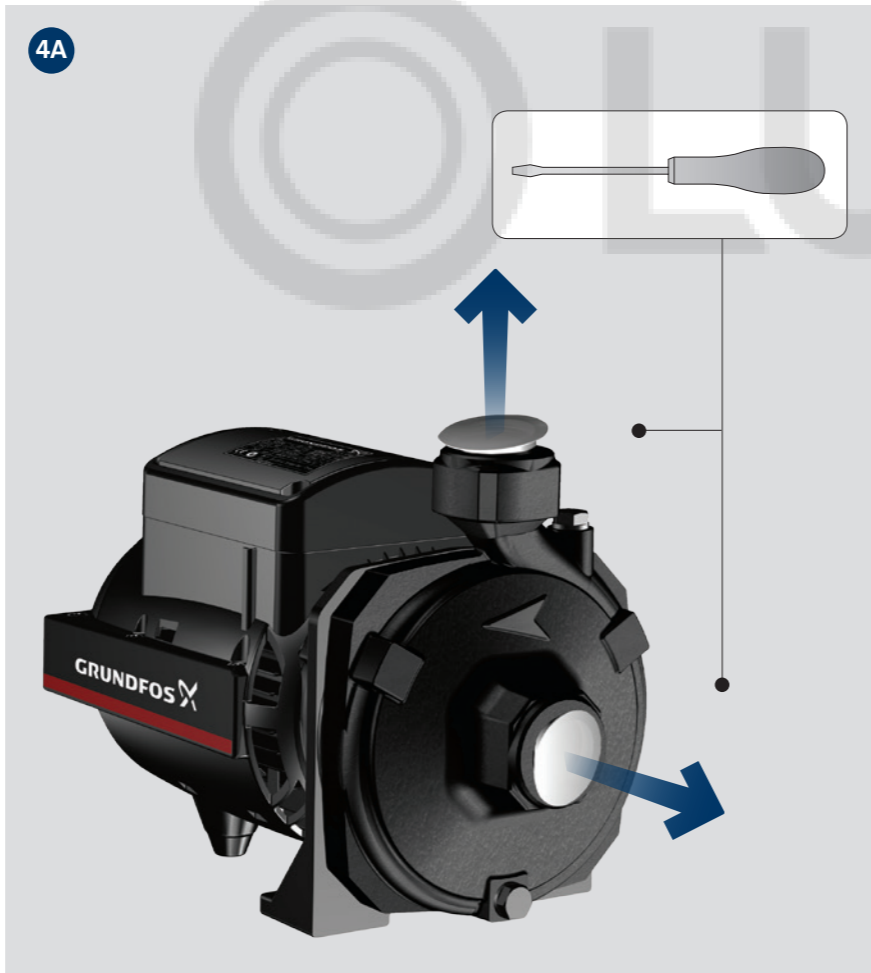
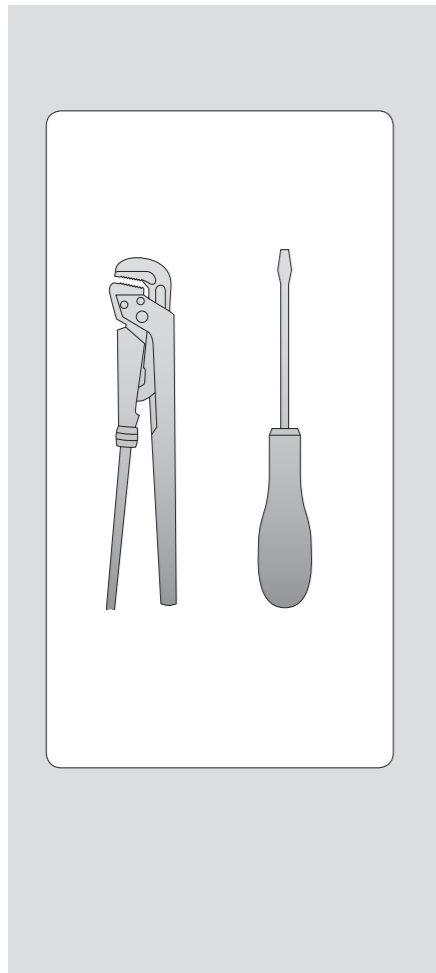


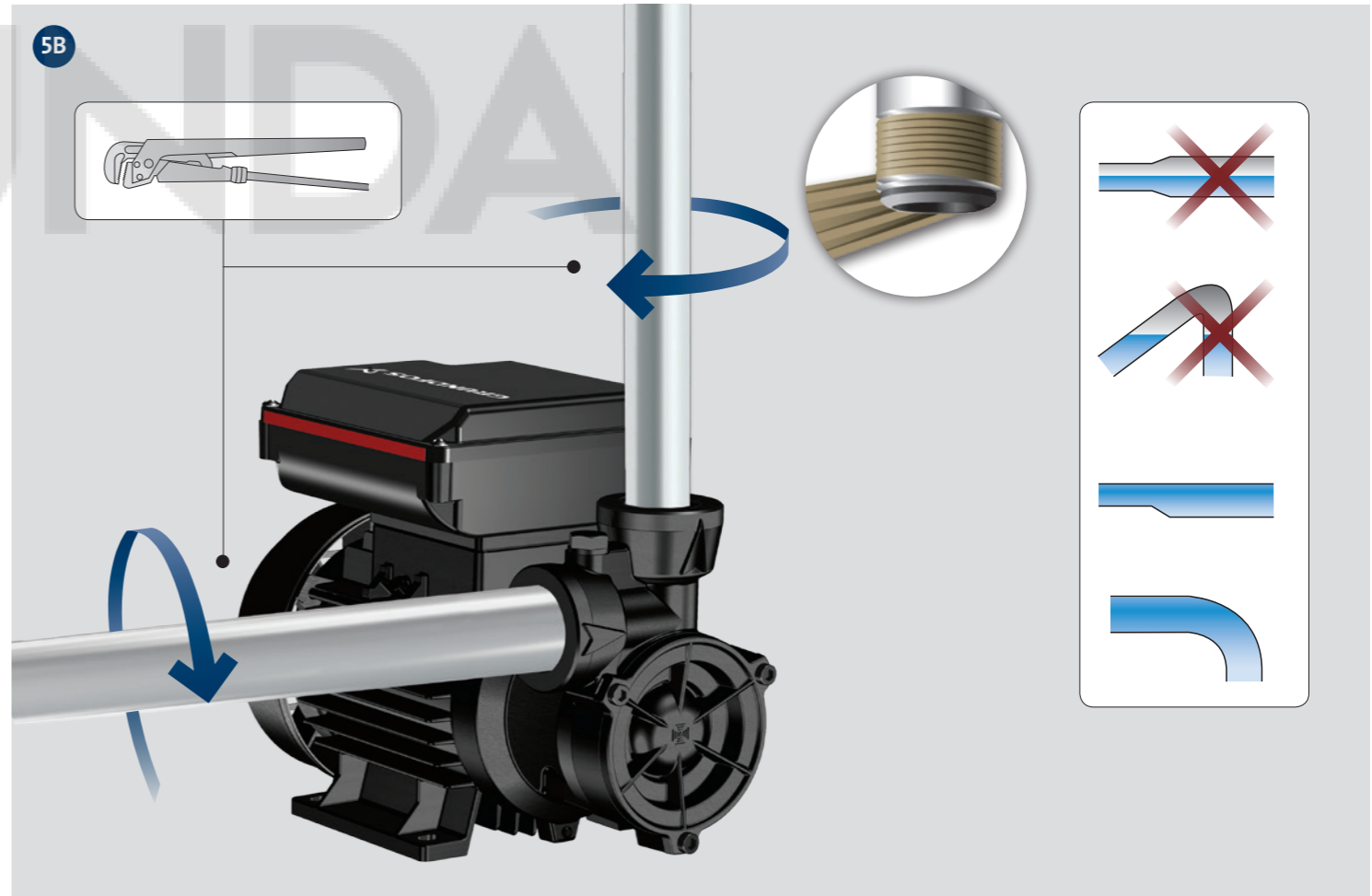
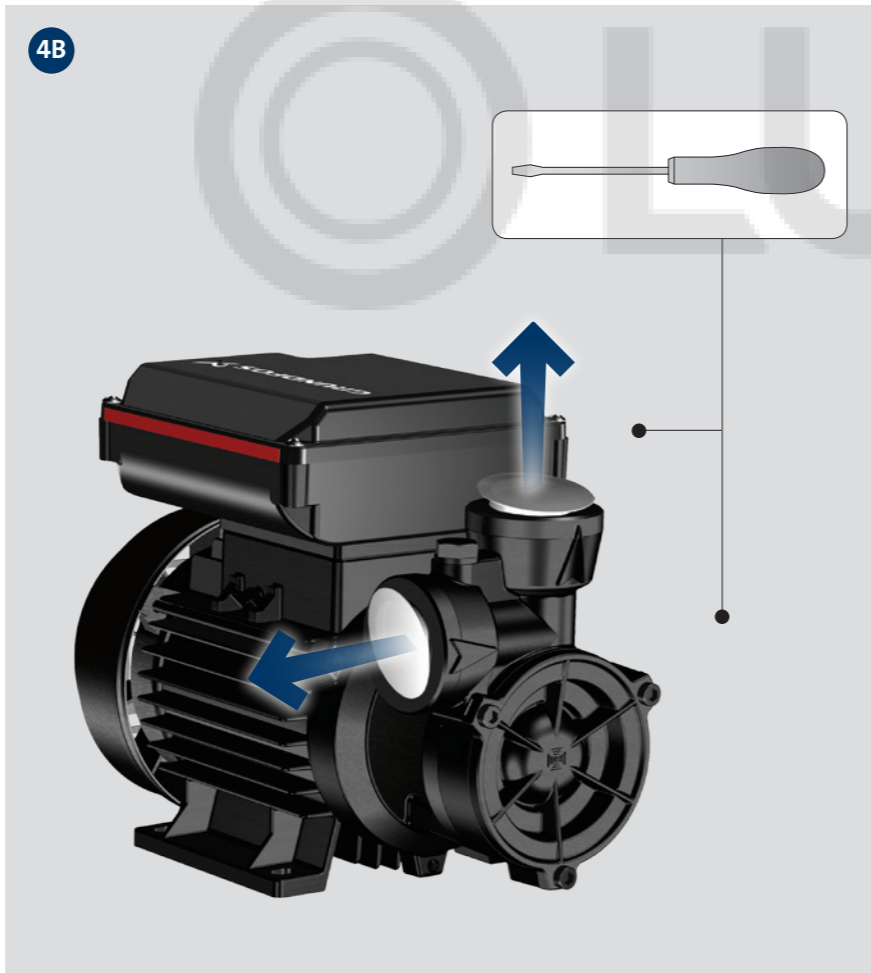
2B

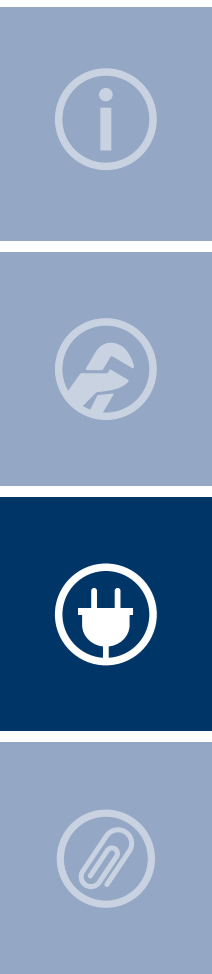


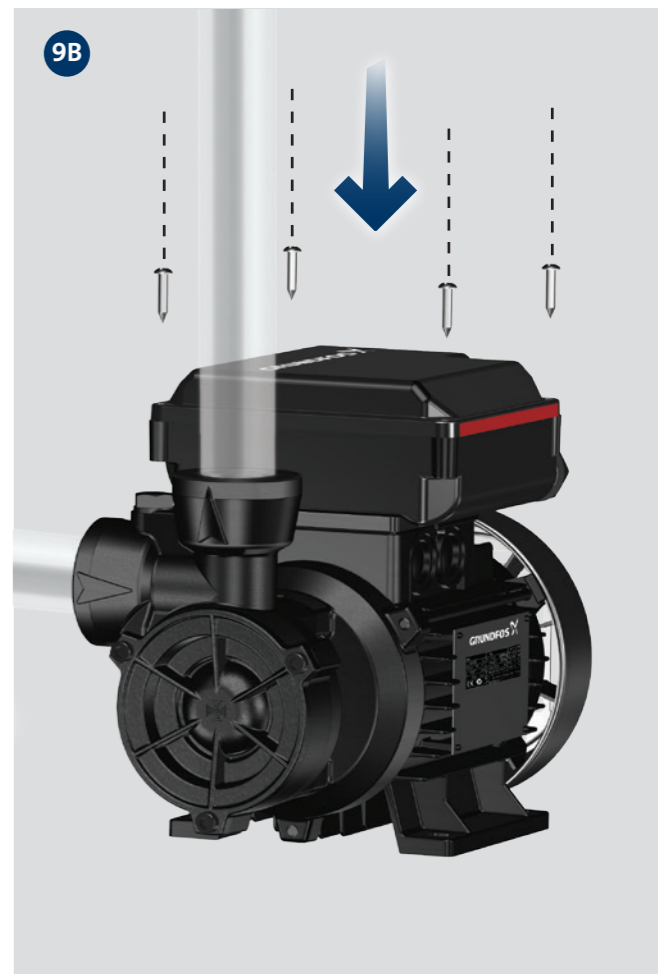
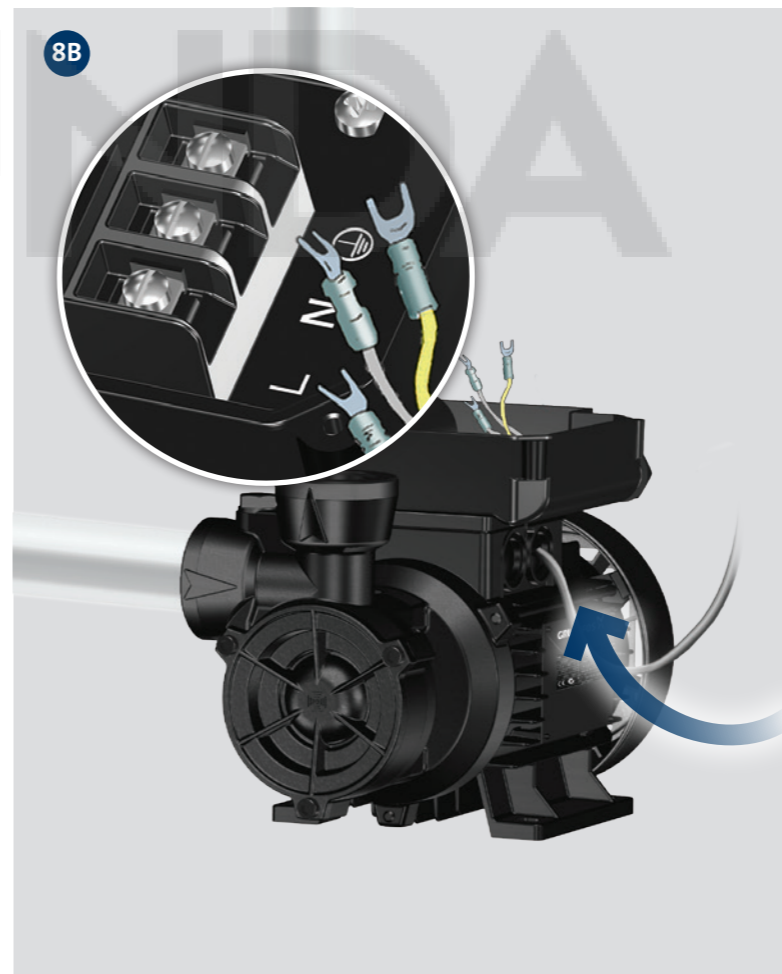
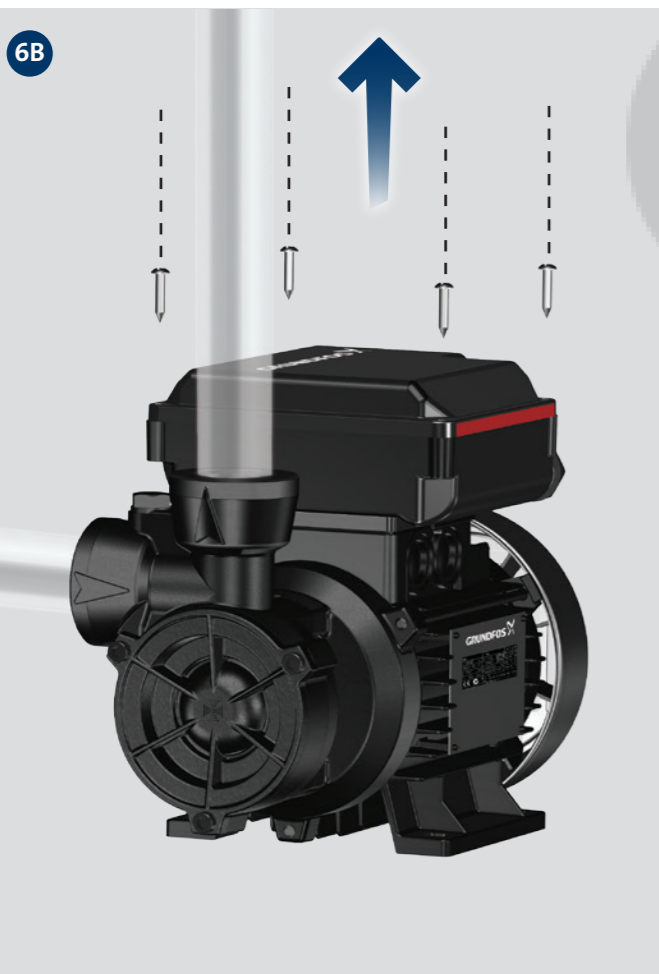
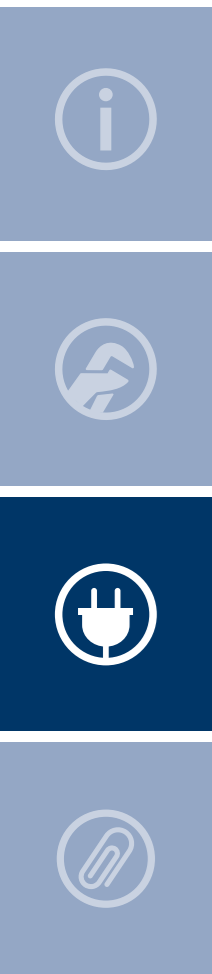
3B

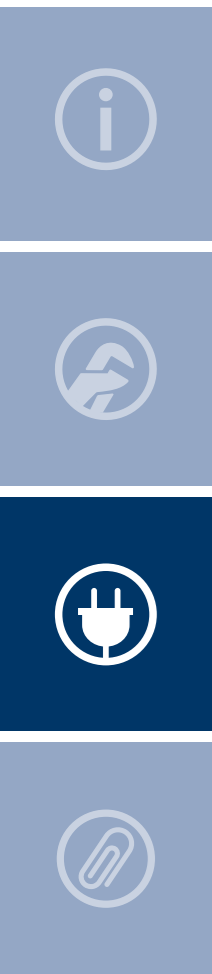




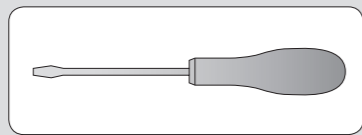




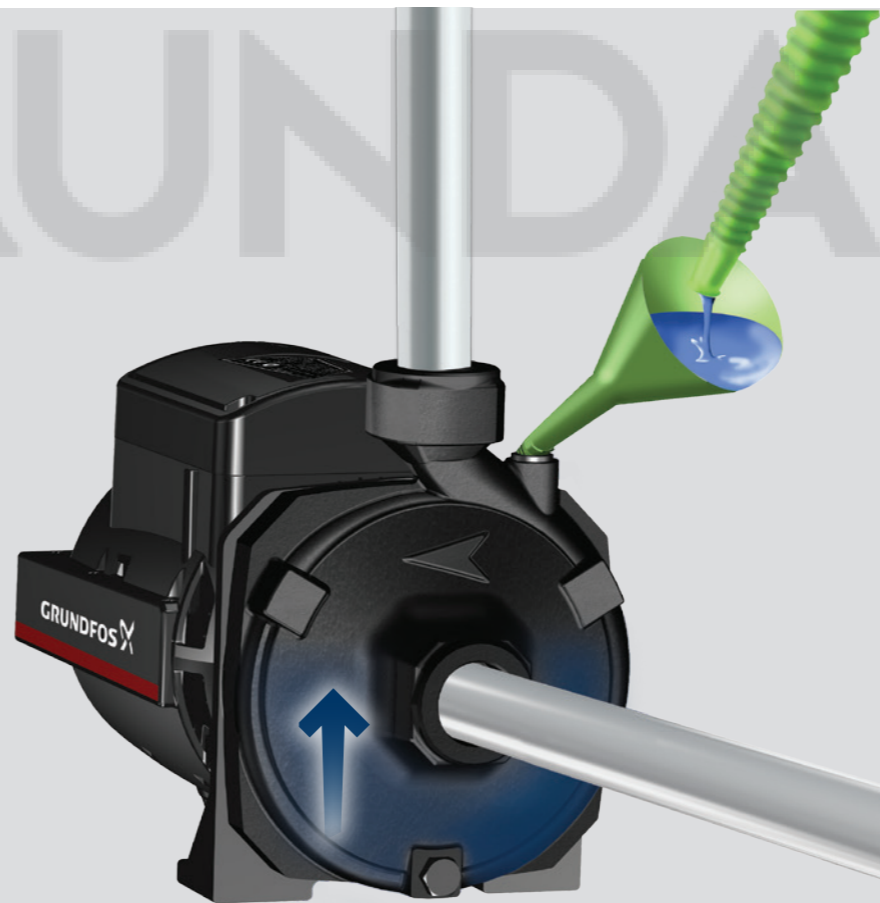




10A



11A

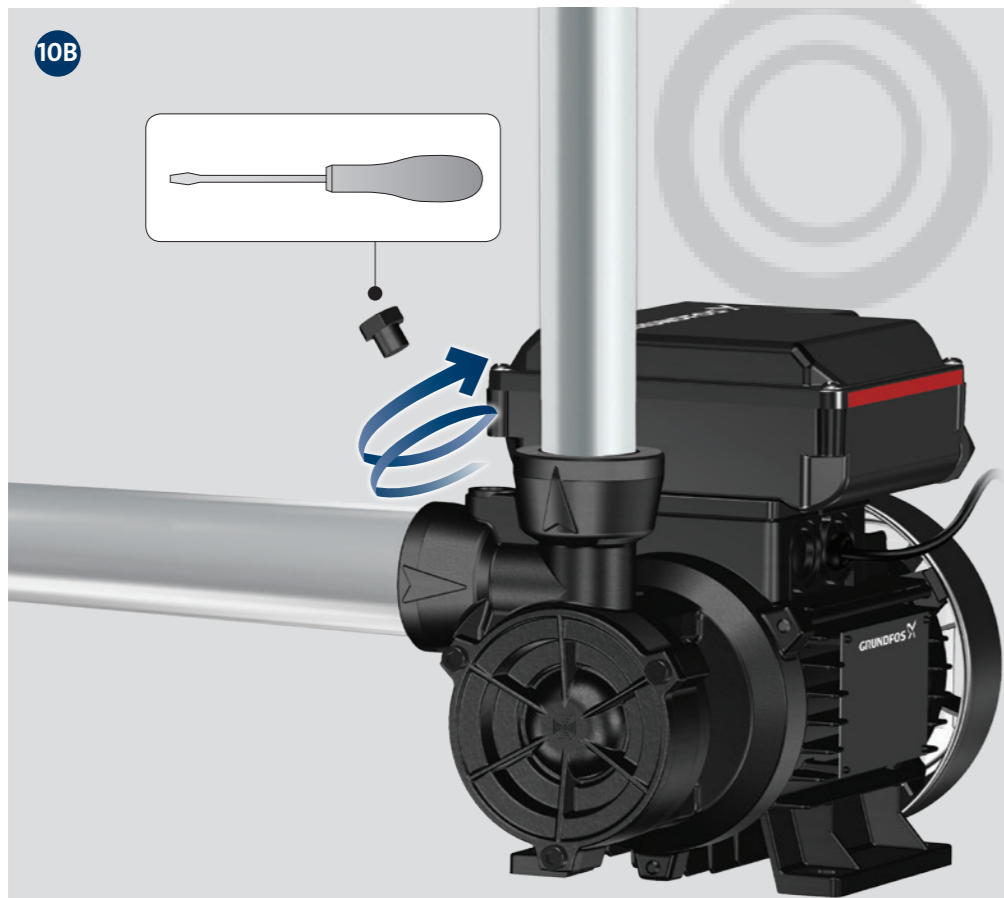
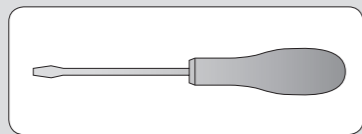


12A

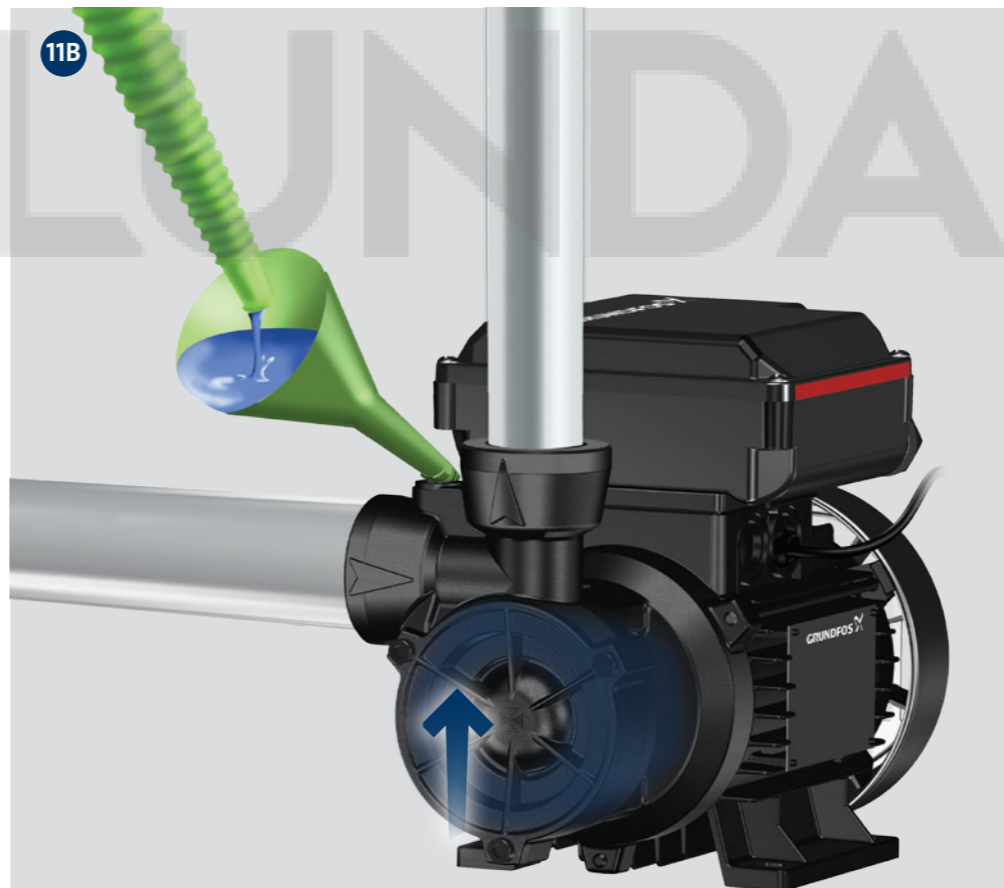
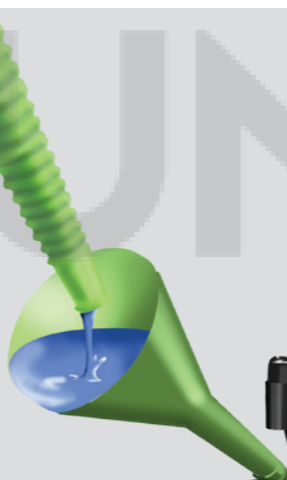




10B

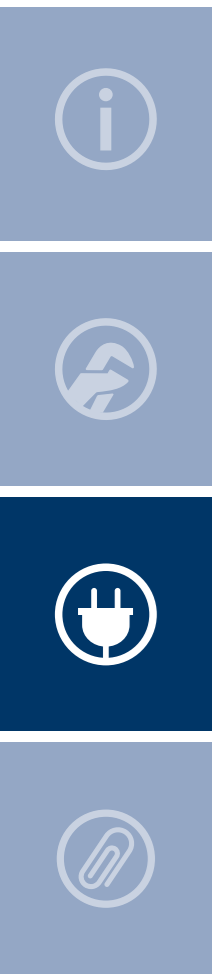


11B



12B



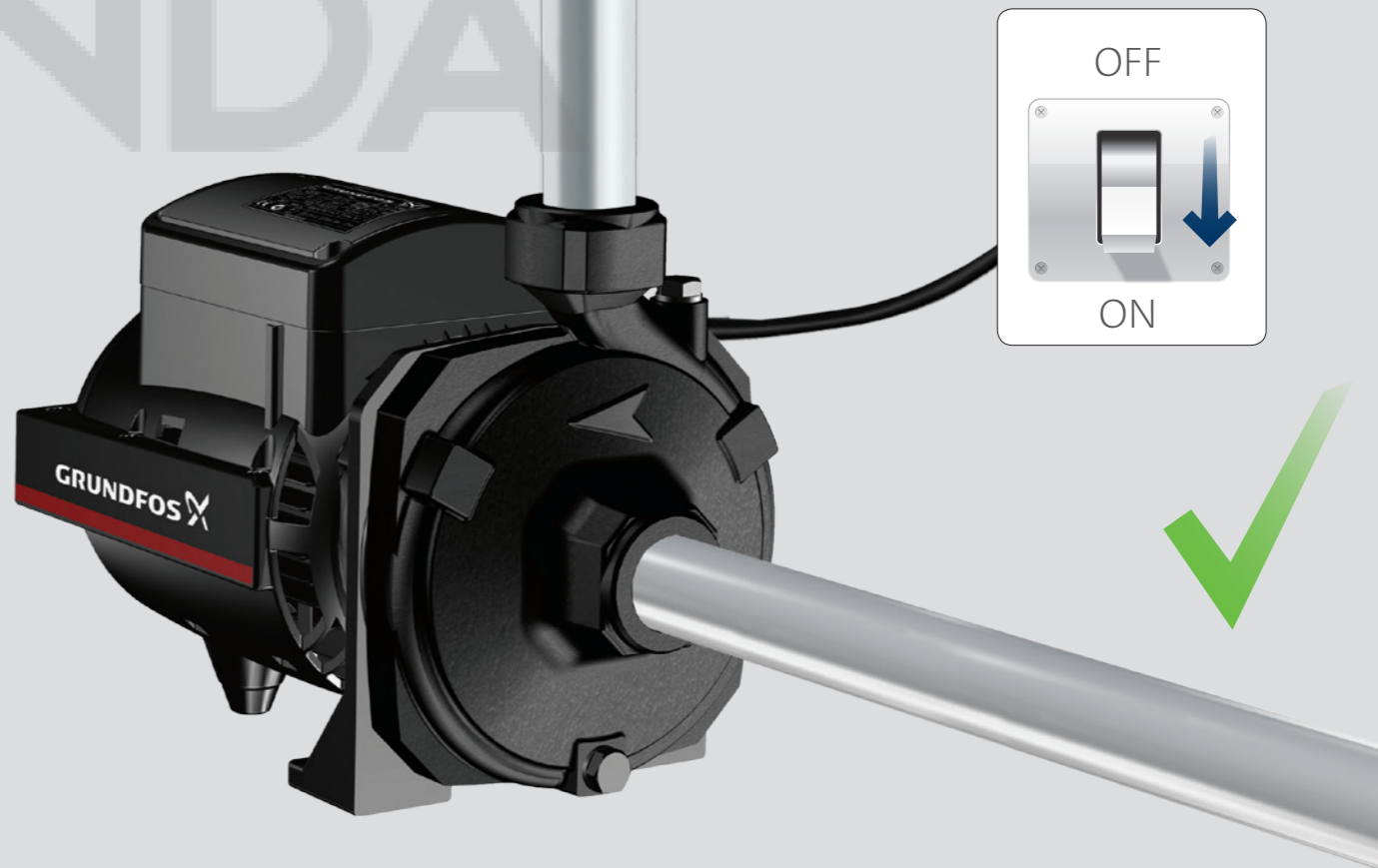


i



Max. Ø < 1 mm  
/ 0.04 inch

13A



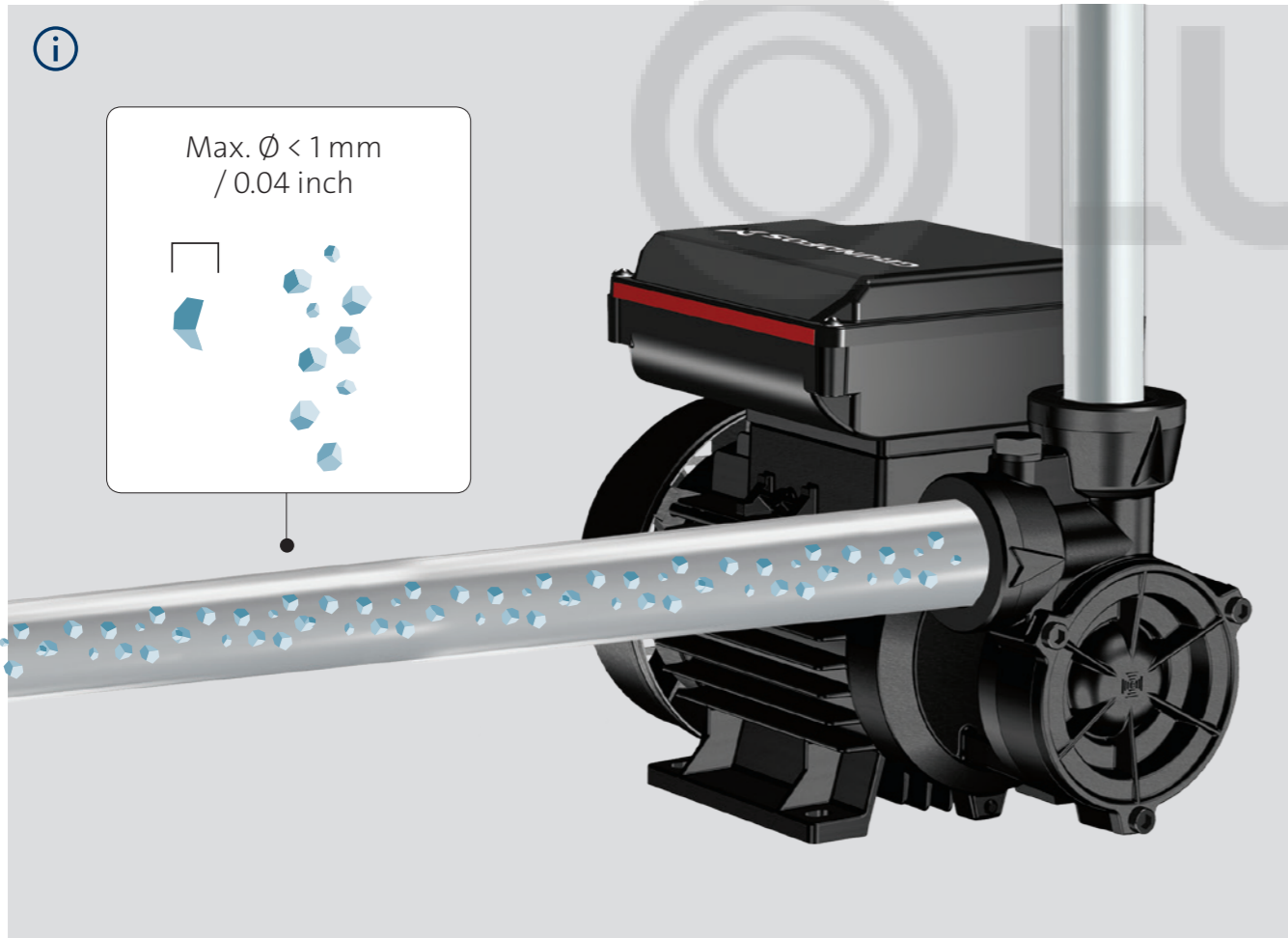
OFF

ON



i

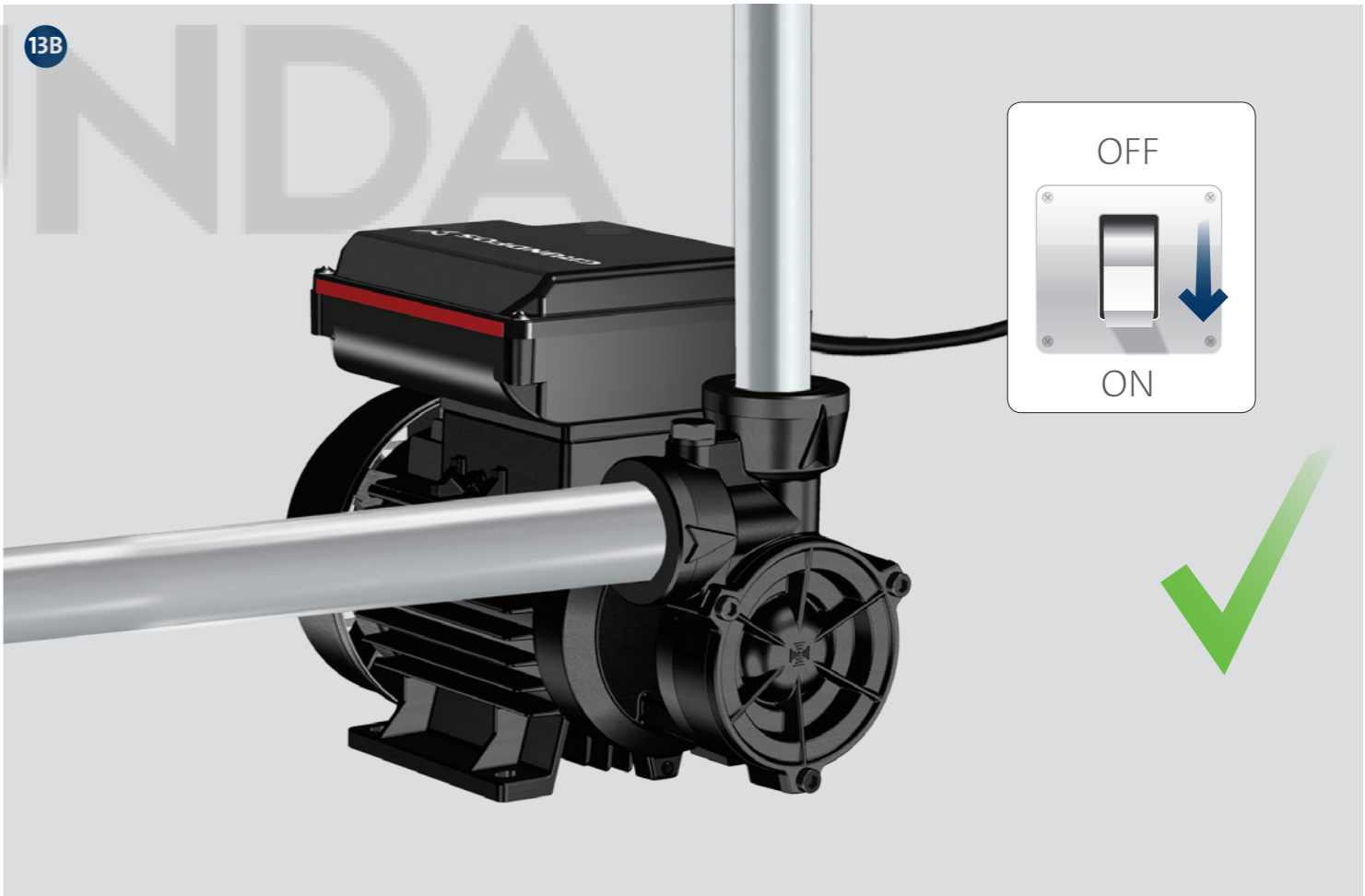
Max.  $\varnothing < 1$  mm  
/ 0.04 inch



13B

OFF

ON



be think innovate

---



98911576 0216

ECM: 1178728

**GRUNDFOS Holding A/S**  
Poul Due Jensens Vej 7  
DK-8850 Bjerringbro  
Tel: +45 87 50 14 00  
[www.grundfos.com](http://www.grundfos.com)

**GRUNDFOS** 

The name Grundfos, the Grundfos logo, and be think innovate are registered trademarks owned by Grundfos Holding A/S or Grundfos A/S, Denmark. All rights reserved worldwide.